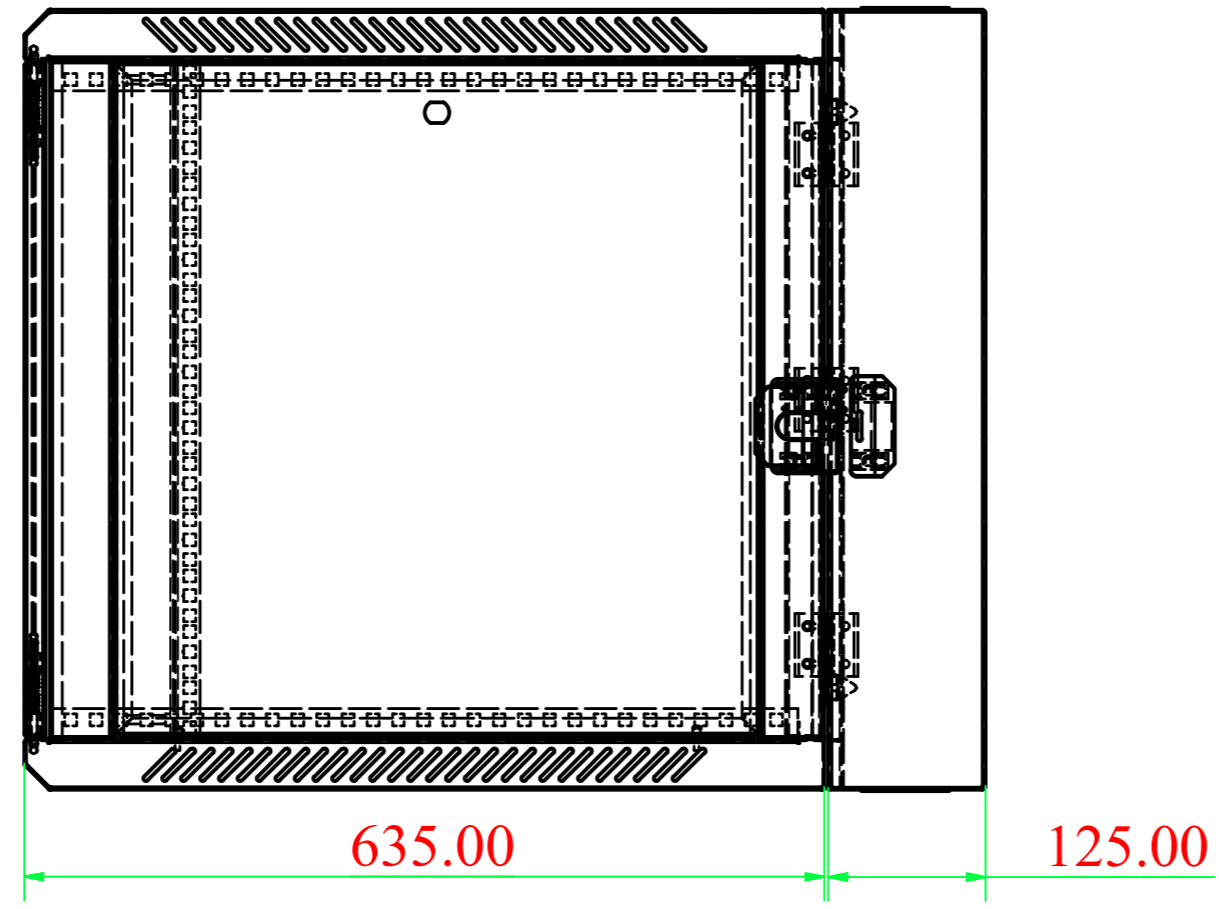
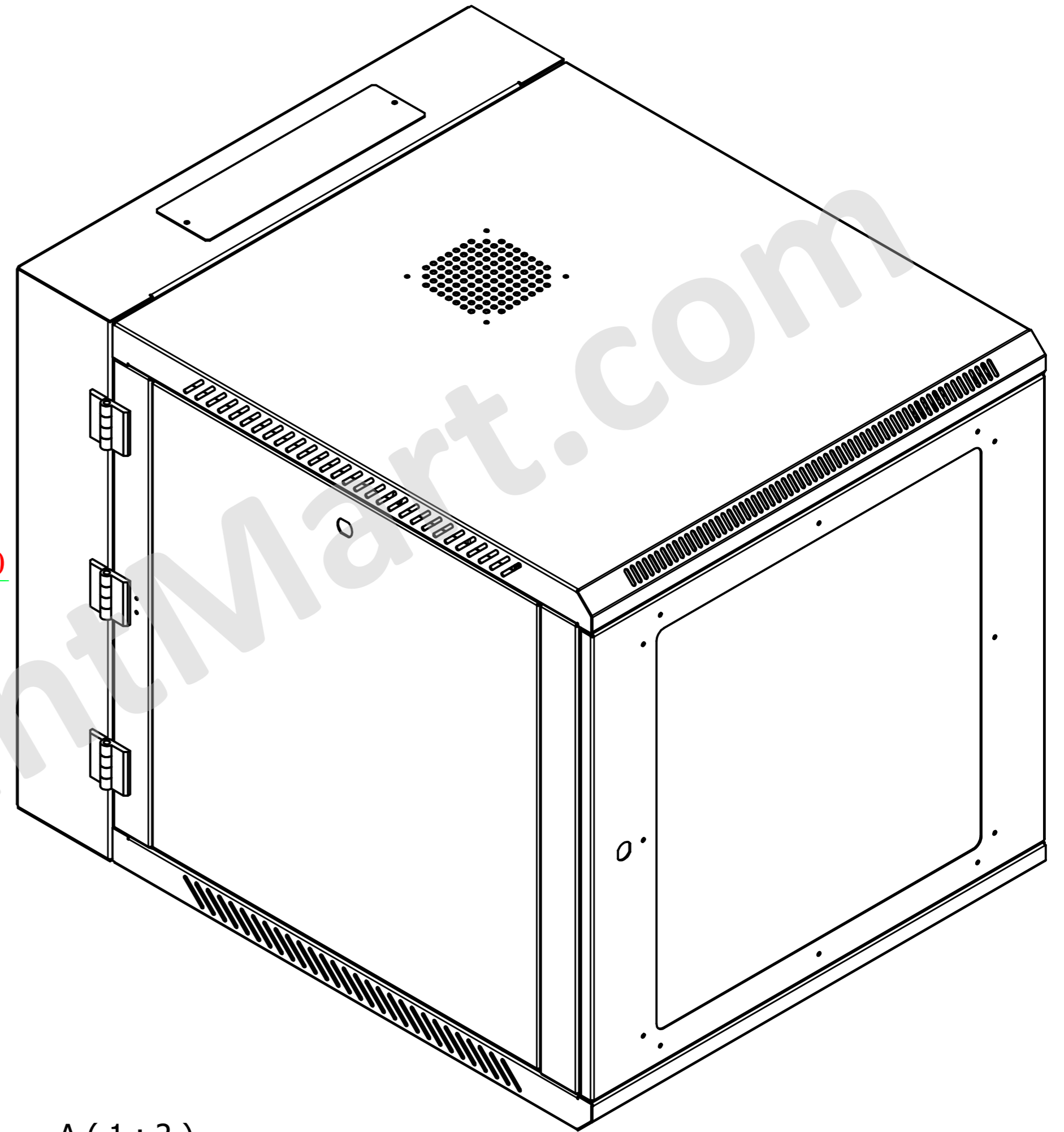


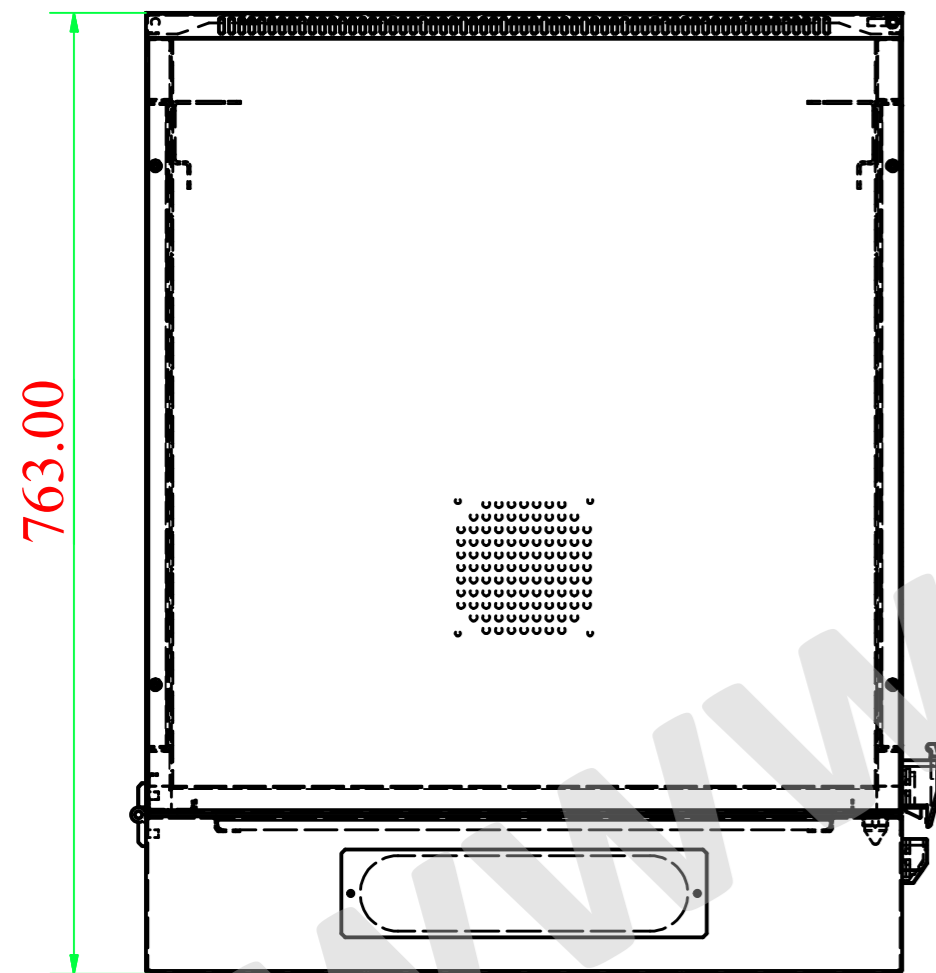
FRONT VIEW



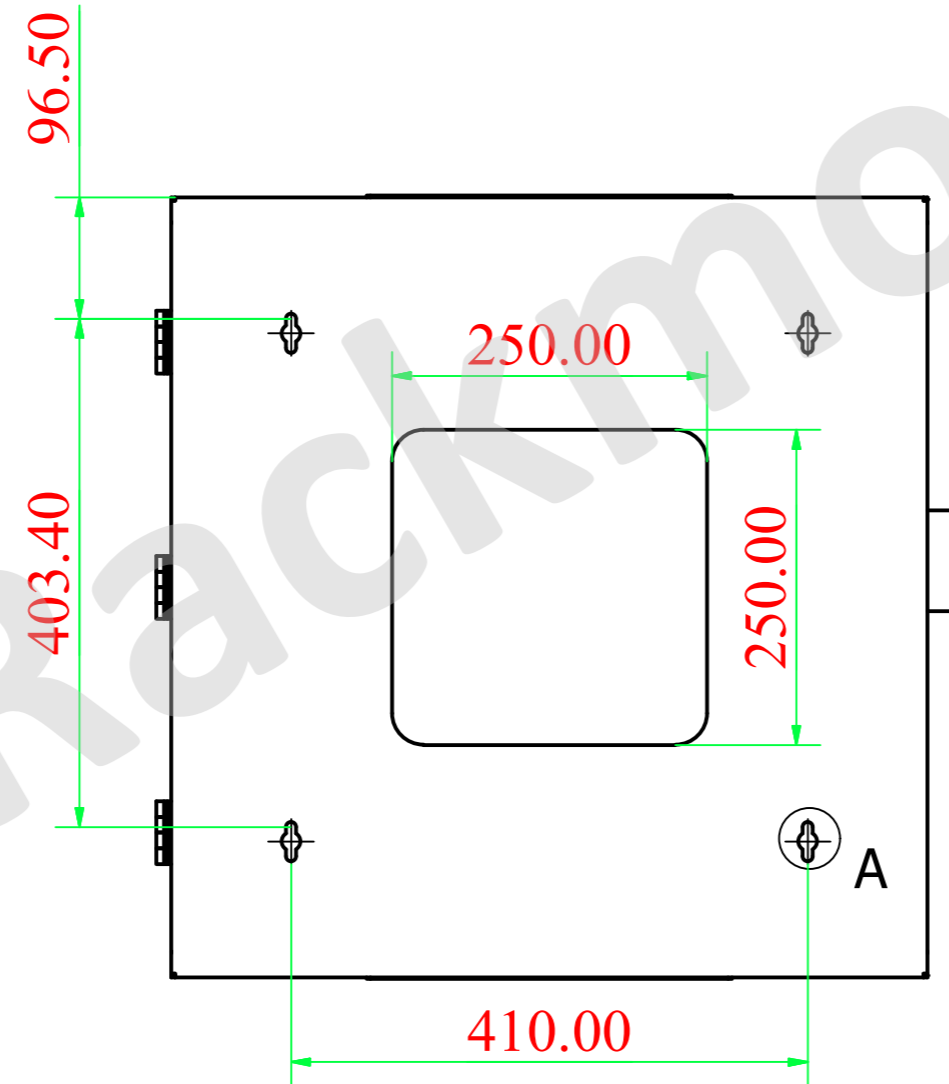
SIDE VIEW



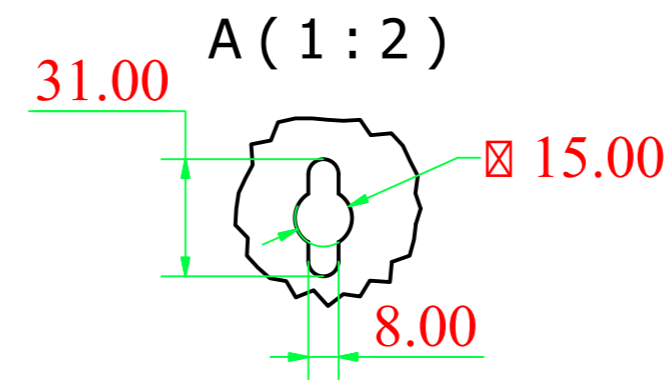
ISO VIEW



BOTTOM VIEW

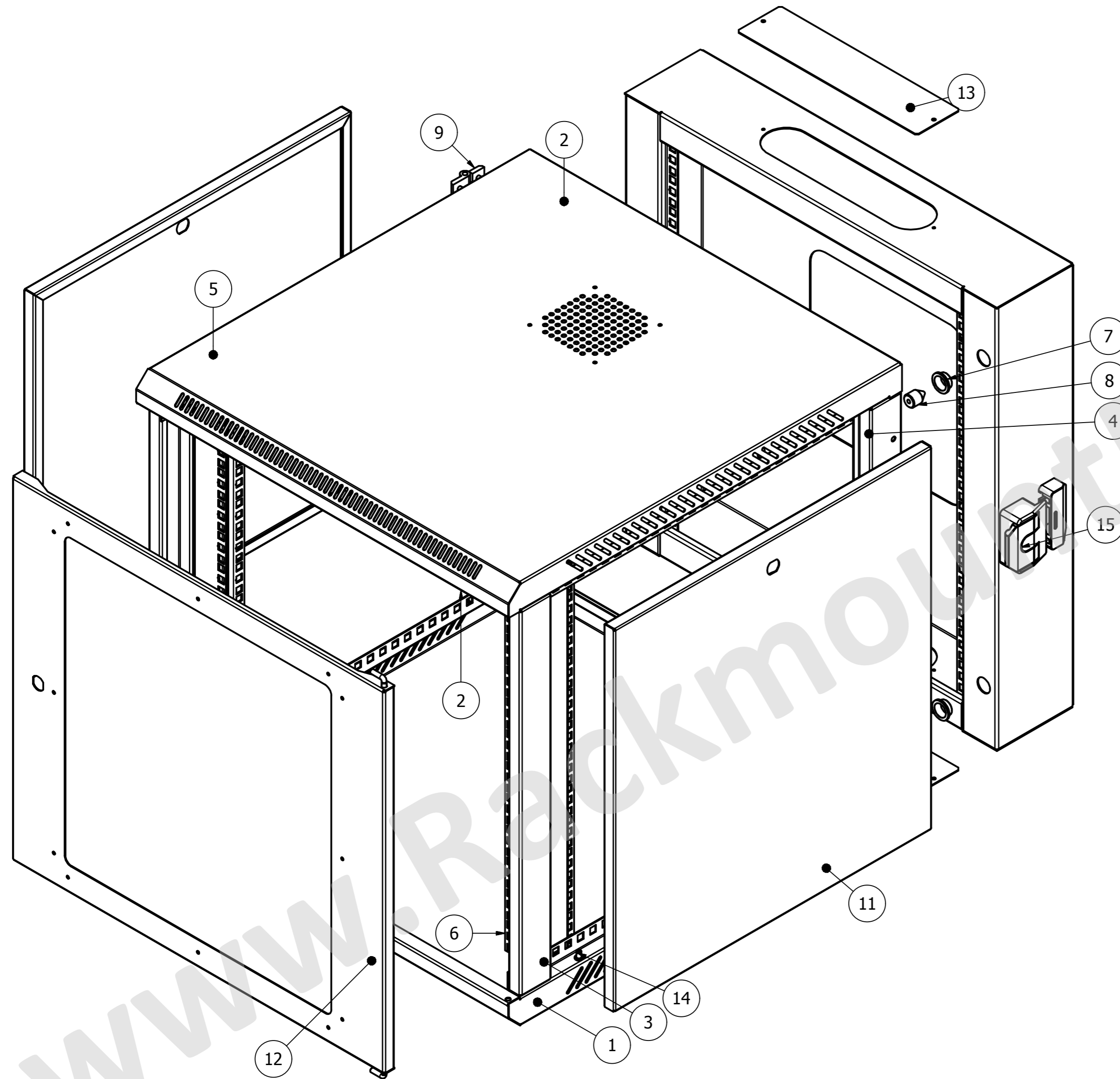


WALL MOUNT HOLE  
DETAILS



Unit: mm

WB4011



PARTS LIST			
ITEM	QTY	PART NUMBER	MATERIAL
1	1	BOTTOM END FRAME	1.2 MM EG Steel, Mild
2	1	TOP END FRAME	1.2 MM EG Steel, Mild
3	2	12u_vertical front member	1.2 MM EG Steel, Mild
4	2	12u_vertical rear member	1.2 MM EG Steel, Mild
5	1	REAR SECTION	1.5 MM EG Steel, Mild
6	2	PANEL MOUNTING 12U	2.0 MM EG Steel, Mild
7	2	FLANGE BEARING	NYLON
8	2	LOCATOR	STEEL, GALVANISED
9	3	DIRAK_HINGE_STUD	STEEL, BLACK
10	1	12U_REAR VERTICAL,SUPPORT	1.5 MM EG Steel, Mild
11	2	SIDECOVER_12U	1MM EG Steel, Mild
12	1	12U FRONT DOOR	1.2 MM EG Steel, Mild
13	2	CABLE ENTRY COVER	1.2 MM EG Steel, Mild
14	4	LO_LOCATOR	Default
15	1	DKS-1	SJ,TOGGLE & HOOK

WB4011